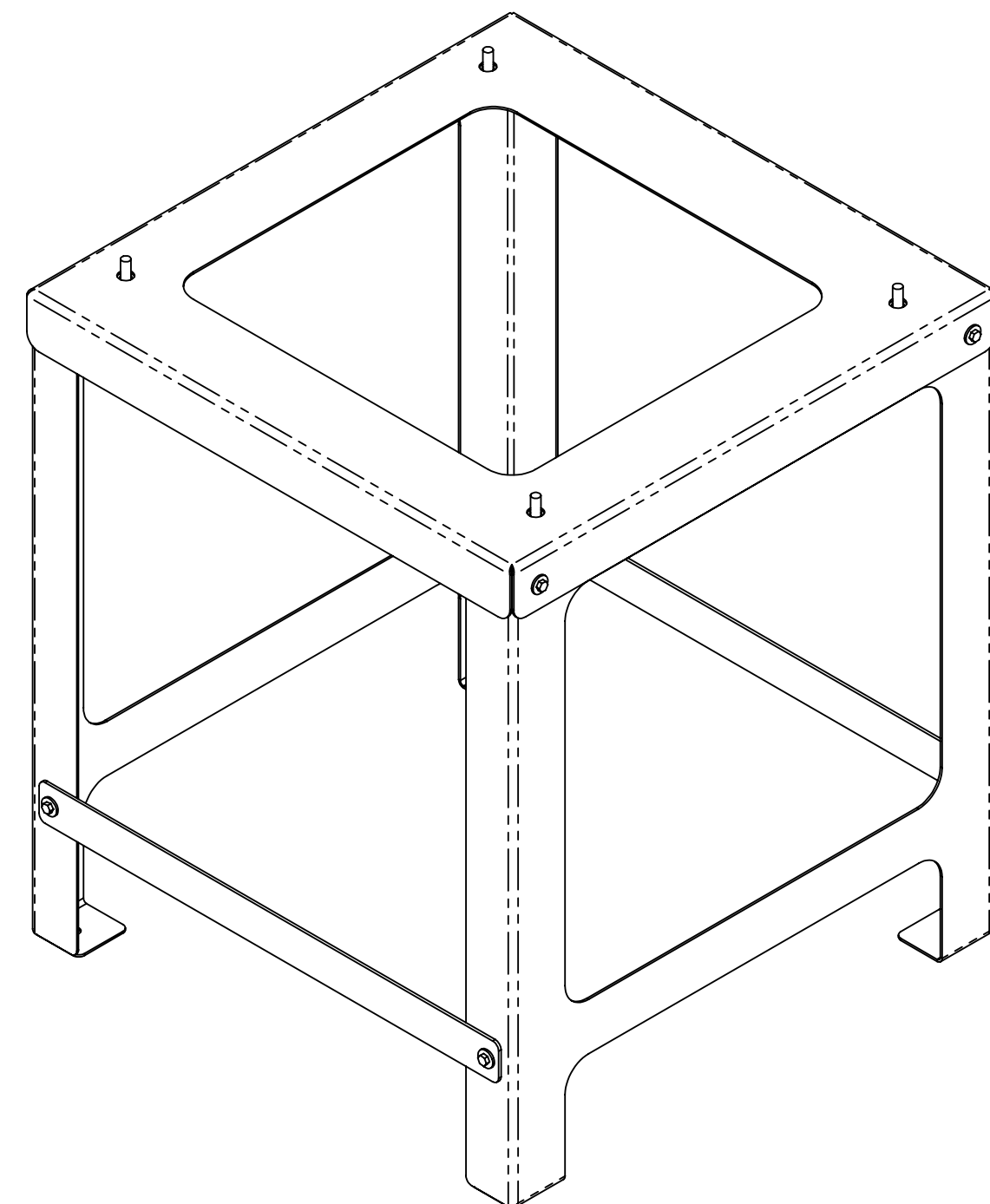
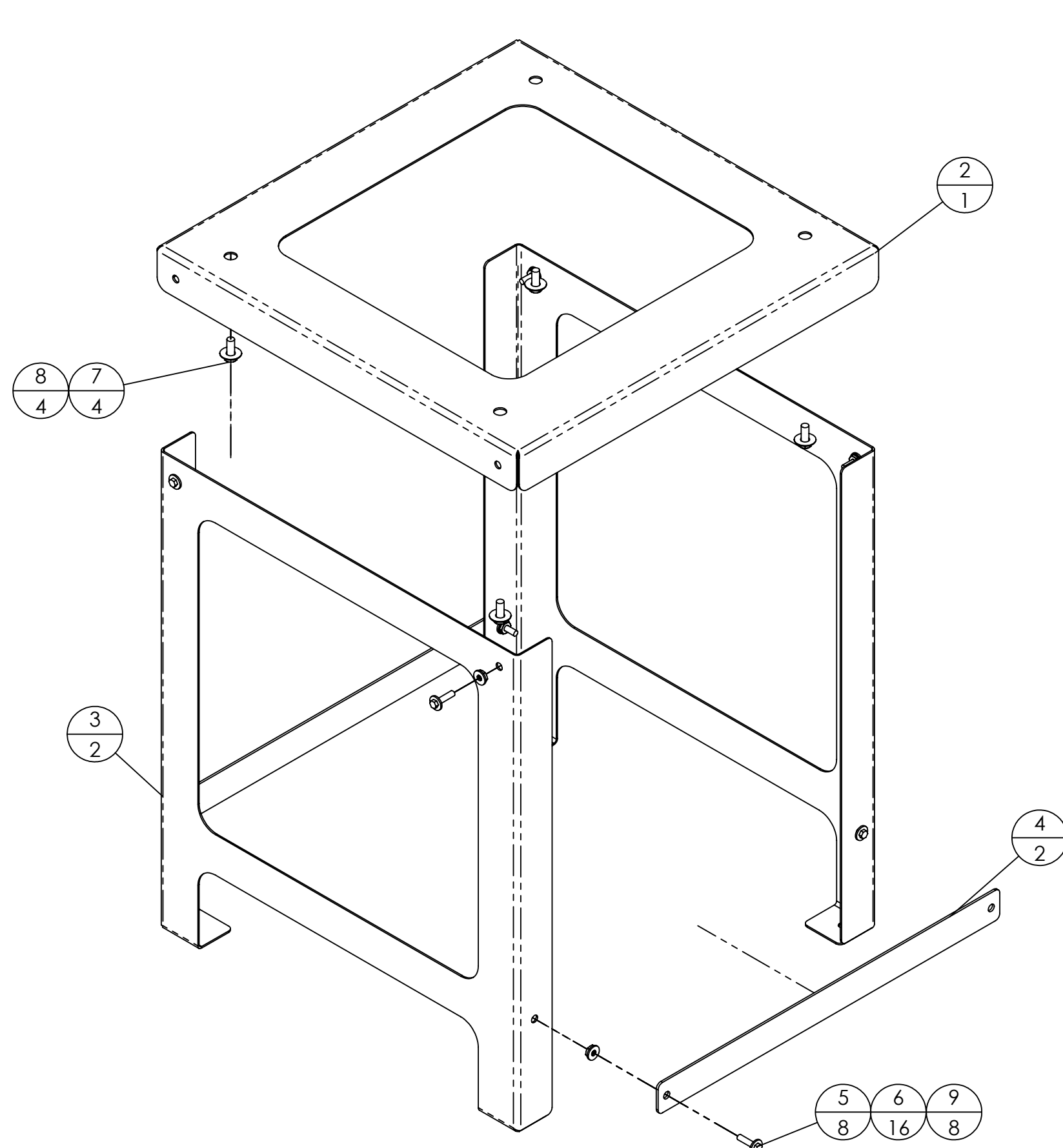


NOTES:
1. ITEM 100520095 NOT SHOWN

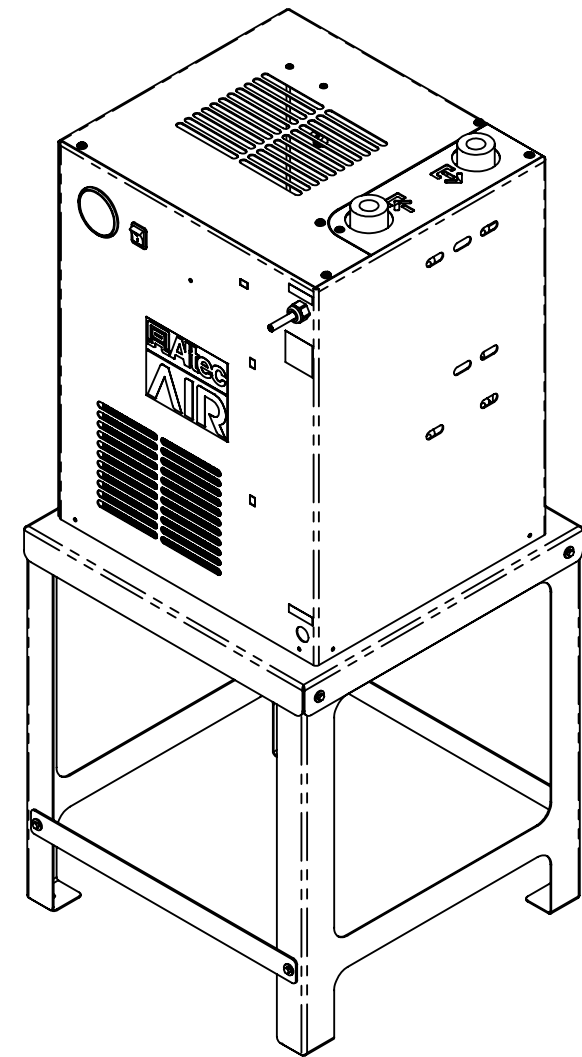
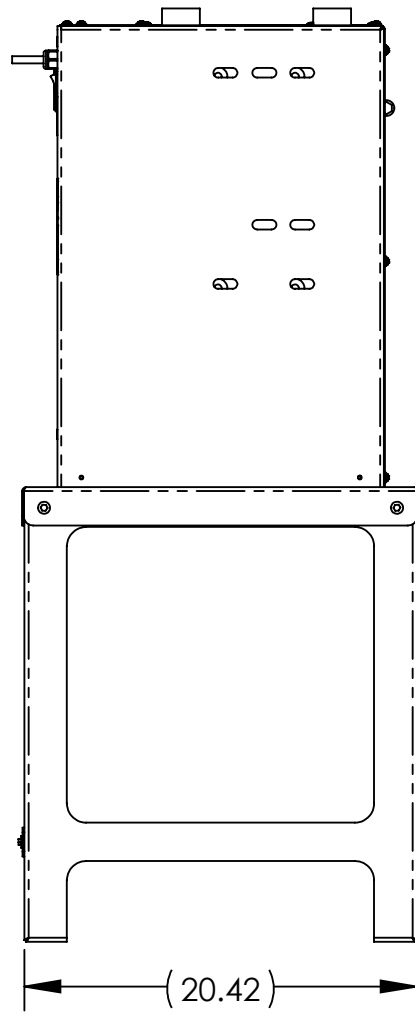
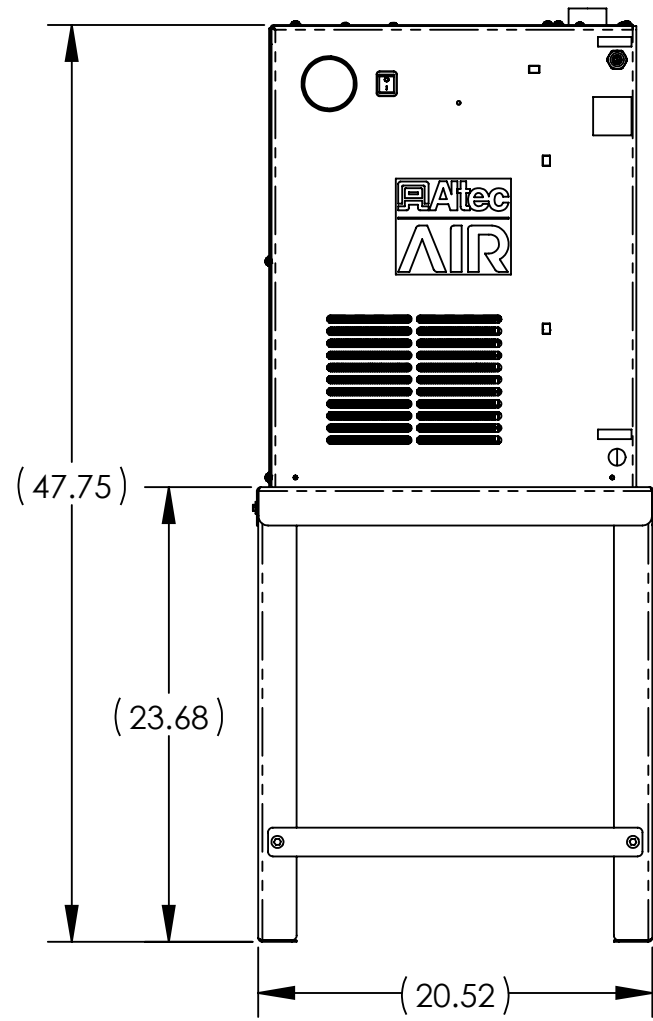
REVISIONS				
REV	DESCRIPTION	DATE	BY	ECO #
A	RELEASED	-	-	-
B	UPDATED ASSEMBLY PER PROTOTYPE REVIEW	06/30/2022	B.MEADOR	ECA000095
C	ADDED MOUNTING HARDWARE 100506731 QTY 4, 100506846 QTY 4, AND INSTRUCTION SHEET 100520095. ADDED SALES DRAWING PAGE	09/07/2022	KCH	AIR-1110
D	SHEET METAL REDESIGN AND HARDWARE CHANGE	03/29/2023	KCH	AIR-1292




ITEM	QTY	PART NUMBER	DESCRIPTION
9	8	100506222	NUT-KEP,G5,1/4-20,REG
8	4	100506846	WSHR-FLT, 5/16,A,WIDE
7	4	100506731	SCR-HH,5/16-18X 3/4 ,CZ
6	16	100500968	WASHER FLAT, 1/4 SAE
5	8	100506728	SCR-C HH,G5,1/4-20 X 1, ZN
4	2	100518748	SHEETMETAL, BRACE, CRS, 1.50 IN W, 0.1046 IN T, 19.50 IN L, W/ BOLT HOLES
3	2	100520646	SHEET METAL, RAD 25-55, SIDE PANEL, 23.61 IN L, 20.42 IN W, 2.00 IN H, CRS
2	1	100520645	SHEET METAL, RAD 25-55, TOP PANEL, 20.67 IN L, 20.67 IN W, 2.00 IN H, CRS
1	1	100520095	INSTR - AFS ASSEMBLY GUIDE

DRAWN: B. MEADOR APPROVED: K. HOERR DATE: 03/16/2022 MATERIAL: FINISH:		UNLESS OTHERWISE NOTED, TOLERANCES ARE: FRACTIONS: ±1/16 ANGLES: ±1° DECIMAL: .X = ±.06 .XX = ±.03 .XXX = ±.015 .XXXX = ±.0030 MACHINED SURFACES: 125 MICRONS INCHES THESE TOLERANCES DO NOT APPLY TO BASIC DIMENSIONS. DO NOT SCALE THIS PRINT, REMOVE ALL BURRS & SHARP EDGES. ALL DIMENSIONS ARE IN INCHES. CAD SOFTWARE: SOLIDWORKS. DRAWING DIMENSIONED TO ALTEC STANDARD: CDS-0007.		 226A COMMERCE ST, BROOMFIELD, CO 80020		
TITLE: KIT, RAD FLOOR STAND, RAD-0025-0055		CONFIDENTIAL: This drawing and its contents are the proprietary and confidential information of Altec Industries, Inc. and are not to be reproduced, copied or publicly disclosed. If this drawing is provided to a someone outside Altec, it is done so for the limited purpose of assisting that recipient with a technical or product issue. In receiving this drawing, the recipient agrees to maintain it in confidence and not to use it beyond the purpose previously stated. Recipient agrees not to reproduce, copy, or publicly disclose this drawing and its contents.				
SHEET 1 OF 2		SCALE: 1:5	WEIGHT: 21.2	SIZE: 3	NUMBER: 100518747	REV: D

RAD-0055 SHOWN FOR REFERENCE ONLY AND IS NOT INCLUDED WITH FLOOR STAND



DRAWN B. MEADOR	UNLESS OTHERWISE NOTED, TOLERANCES ARE: FRACTIONS: $\pm 1/16$ ANGLES: $\pm 0^{\circ}30'$ DECIMAL: .X = $\pm .06$.XX = $\pm .03$.XXX = $\pm .015$.XXXX = $\pm .0030$ MACHINED SURFACES: 125 MICRONS THESE TOLERANCES DO NOT APPLY TO BASIC DIMENSIONS.	 226A COMMERCE ST, BROOMFIELD, CO 80020				
APPROVED K. HOERR						
DATE 03/16/2022	DO NOT SCALE THIS PRINT, REMOVE ALL BURRS & SHARP EDGES, ALL DIMENSIONS ARE IN INCHES. CAD SOFTWARE: SOLIDWORKS. DRAWING DIMENSIONED TO ALTEC STANDARD: CDS-0007.	TITLE: ASSY- RAD FLOOR STAND, 0025-0055				
MATERIAL						
FINISH	CONFIDENTIAL: This drawing and its contents are the proprietary and confidential information of Altec Industries, Inc. and are not to be reproduced, copied or publicly disclosed. If this drawing is provided to someone outside Altec, it is done so for the limited purpose of assisting that recipient with a technical or product issue. In receiving this drawing, the recipient agrees to maintain it in confidence and not to use it beyond the purpose previously stated. Recipient agrees not to reproduce, copy, or publicly disclose this drawing and its contents.	SCALE	WEIGHT	SIZE	NUMBER	REV
SHEET 2 OF 2		1:10	55.1	2	100518747	D